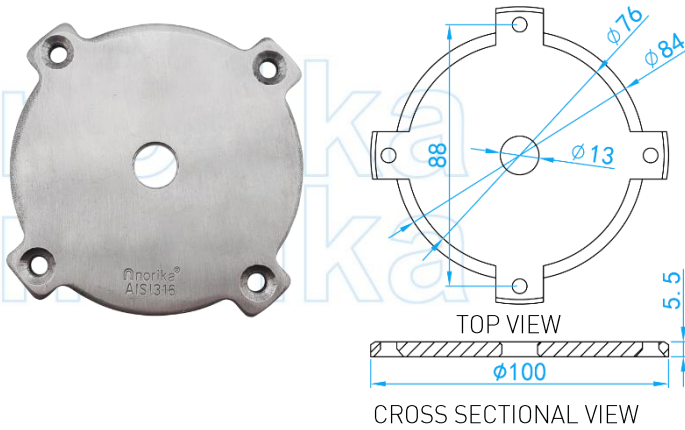
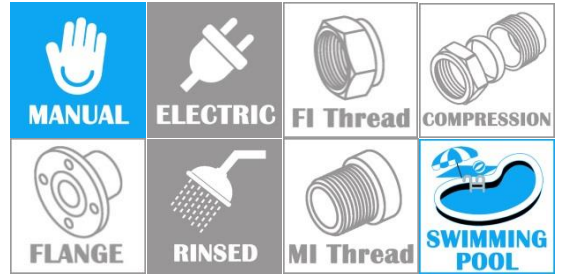
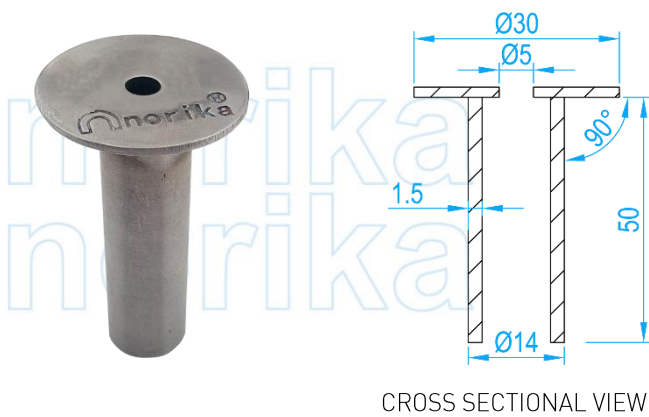


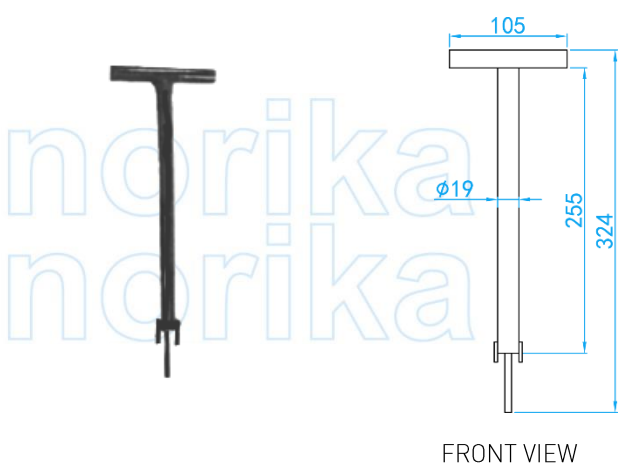
STAINLESS STEEL AIR VENT FOR SPA POOL



STANDARD SPECIFICATIONS		
SKU	MATERIAL	WEIGHT (kg)
VJFICS316	AISI316	0.242



STANDARD SPECIFICATIONS		
SKU	MATERIAL	WEIGHT (kg)
VJSSAV	AISI304	0.176



STANDARD SPECIFICATIONS		
SKU	MATERIAL	WEIGHT (kg)
VJEBO	AISI304	0.190